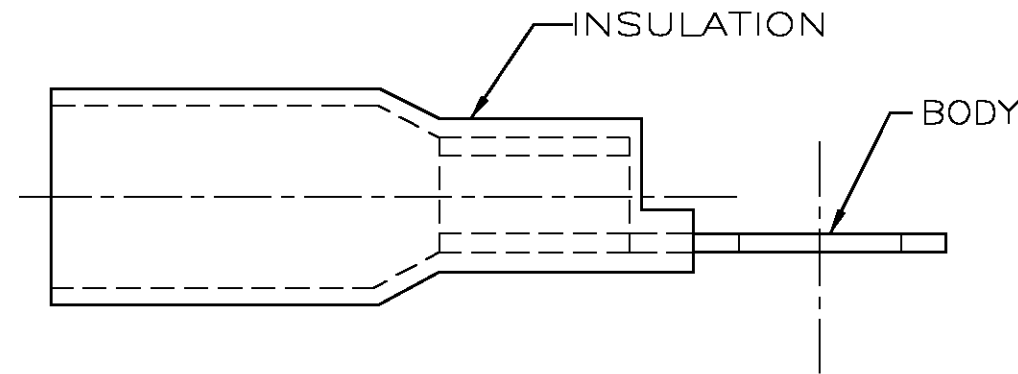
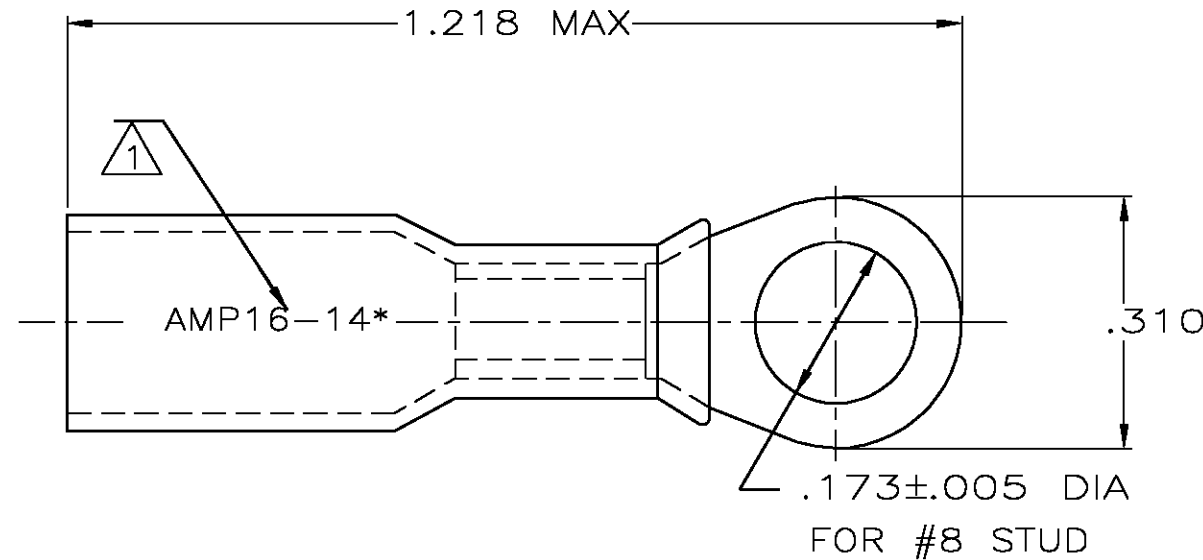


THIS DRAWING IS UNPUBLISHED. RELEASED FOR PUBLICATION ,19 .
 © COPYRIGHT 19 BY AMP INCORPORATED. ALL INTERNATIONAL RIGHTS RESERVED.

LOC	DIST	P	F	REVISIONS				
G	14			ZONE	LTR	DESCRIPTION	DATE	APPD
					C	REV PER 0G3A-0001-03	06JAN02	JR TM

AMP WIRE RANGE	Listed	Certified
16-14 AWG STRANDED	16-14 AWG STRANDED	16-14 AWG STRANDED



NOTES:

- ① STAMP AMP 16-14* APPROX AS SHOWN
- ② WIRE INSULATION .190 DIA MAX
- ③ TONGUE MATERIAL THK IS .032±.002
- ④ NO UL APPROVAL AND NO CSA APPROVAL
- ⑤ PRELIMINARY - NOT FOR PRODUCTION

2500	ON TAPE, REEL	④ 2-55851-1	⑤
50	LOOSE PIECE	8-55851-2	
1000	LOOSE PIECE	55851-1	
QTY	PACKAGE TYPE	PART NO	
DR 6/93 S S GOULDEN	AMP AMP Incorporated Harrisburg, PA 17105-3608		
CHK 6/93 R HERSEY			
APPD 6/93 B BARE	NAME		
APPD 6/93 M ELLIS	TERMINAL, RING TONGUE, SEALABLE HEAT SHRINKABLE		
PRODUCT SPEC	SIZE	CAGE CODE	DRAWING NO
APPLICATION SPEC	B	00779	C-55851
WEIGHT -	SCALE	NTS	SHEET 1 OF 1

AMP INCORPORATED
CUSTOMER SERVICE SYSTEMS

FOR ADDITIONAL PRODUCT INFORMATION OR COPIES OF DRAWINGS AND TECHNICAL DOCUMENTS	PRODUCT INFORMATION CENTER 1-800-522-6752
FOR APPLICATION TOOLING INFORMATION	TOOLING ASSISTANCE CENTER 1-800-722-1111
FOR ORDER ENTRY	1-800-526-5142

MAX RECOMMENDED OPERATING TEMPERATURE:

125° C MAX

VOLTAGE RATING:
600V MAX (BUILDING WIRING)
1000V MAX (FIXTURES & SIGNS)

CIRCULAR MIL AREA:
1.04-2.62mm² [2050-5180]
STRANDED

THIS DRAWING IS A CONTROLLED DOCUMENT FOR AMP INCORPORATED. IT IS SUBJECT TO CHANGE AND THE CONTROLLING ENGINEERING ORGANIZATION SHOULD BE CONTACTED FOR THE LATEST REVISION.

DO NOT SCALE PRINT. UNLESS SPECIFIED DIMENSIONS ARE IN INCHES
 TOLERANCES ON:
 2 PLC DEC ± .008
 3 PLC DEC ± -
 ANGLES ± -

MATERIAL
 BODY: ETP COPPER
 INSULATION: POLYOLEFIN
 COLOR: BLUE

FINISH
 EDP TIN PLATED